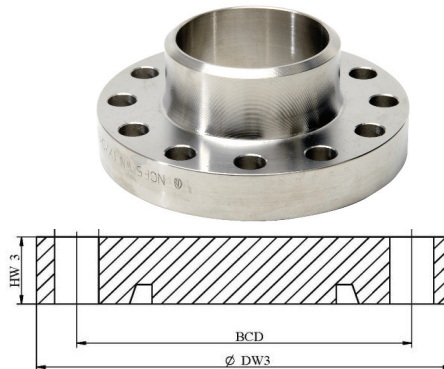
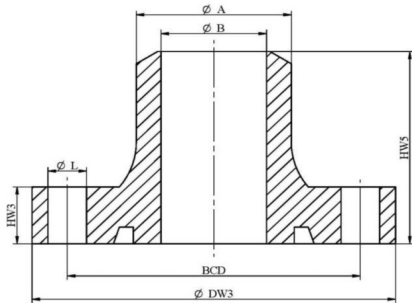


COMPACT FLANGES NORSEK L-005 EDITION 2, MAY 2006

WEIGHT CLASS 2500



NOMINAL SIZE		NECK WALL THICKNESS		APPROXIMATE WEIGHTS (EACH)	
DN	NPS	Sch.	mm	Weld neck (WN) kg	Blind (BLD) kg
15	1/2"	40	2.77	0.9	0.9
15	1/2"	XXS	7.47	1	
20	3/4"	40	2.87	1	1
20	3/4"	XXS	7.82	1.1	
25	1"	40	3.38	1.2	1.2
25	1"	XXS	9.09	1.4	
40	1-1/2"	40	3.68	1.7	1.7
40	1-1/2"	ISO	12.50	2.1	
50	2"	40	3.91	2.9	3
50	2"	ISO	14.20	3.6	
65	2-1/2"	80	7.01	5.3	5.4
65	2-1/2"	ISO	16.00	6.2	
80	3"	40	5.59	7.6	8.4
80	3"	ISO	17.50	9.2	
100	4"	80	8.53	13	14
100	4"	ISO	22.20	16	
125	5"	160	15.88	19	20
125	5"	ISO	25.00	22	
150	6"	80	10.97	27	32
150	6"	ISO	30.00	34	
200	8"	100	15.09	55	65
200	8"	ISO	36.00	68	
250	10"	80	15.09	87	110
250	10"	ISO	45.00	115	
300	12"	80	17.48	131	168
300	12"	ISO	55.00	177	
350	14"	80	19.05	173	223
350	14"	ISO	55.00	226	
400	16"	80	21.44	268	346
400	16"	ISO	65.00	351	
450	18"	80	23.88	348	453
500	20"	80	26.19	439	580
500	20"	ISO	80.00	591	
550	22"	160	53.98	708	808
550	22"	ISO	85.00	809	
600	24"	140	52.37	870	1027
600	24"	ISO	95.00	1035	